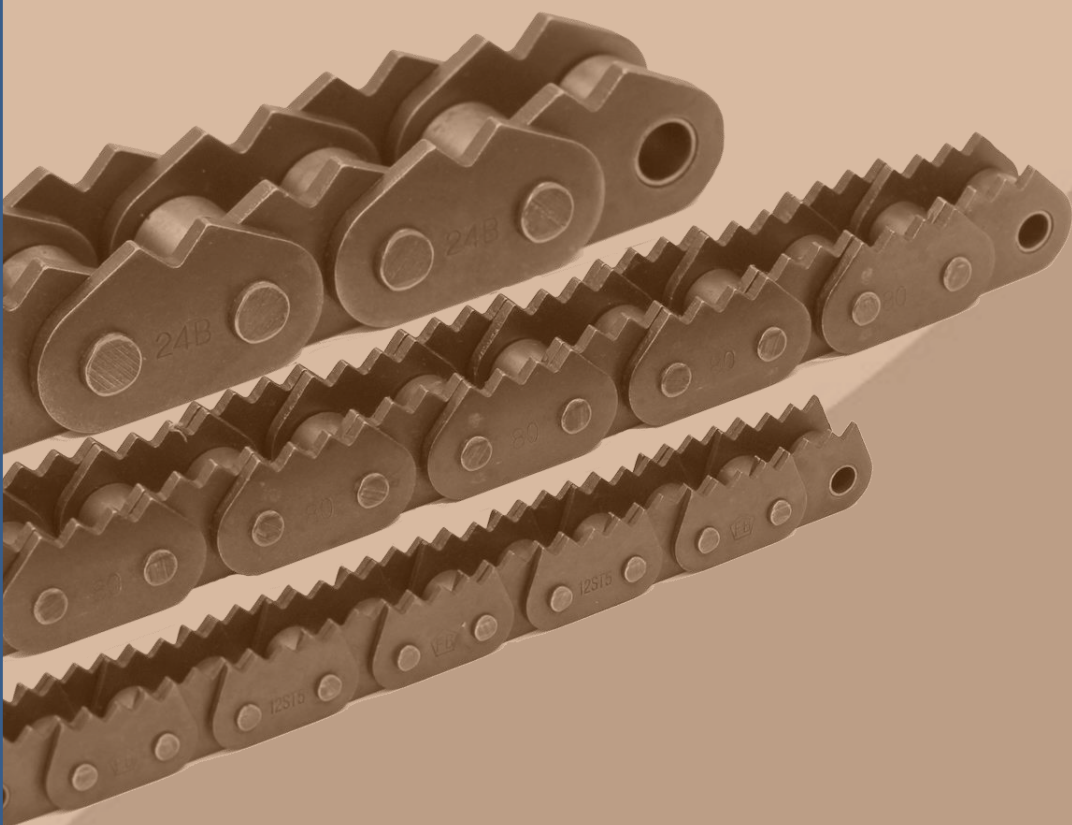




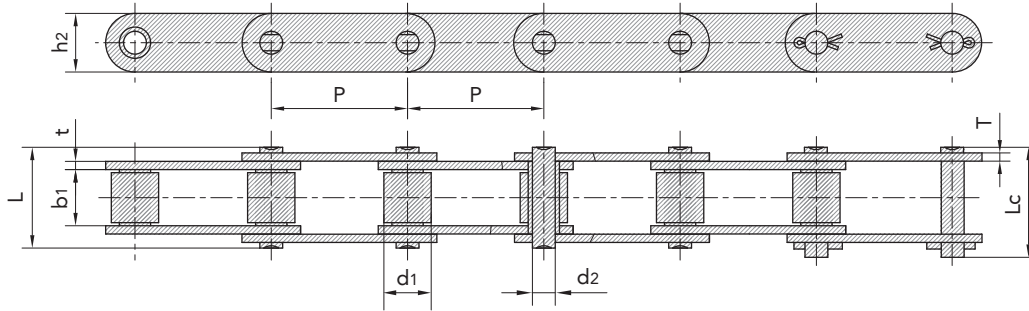
LUMBER & TIMBER CHAIN



木材输送链及附件 Lumber conveyor chain & attachments

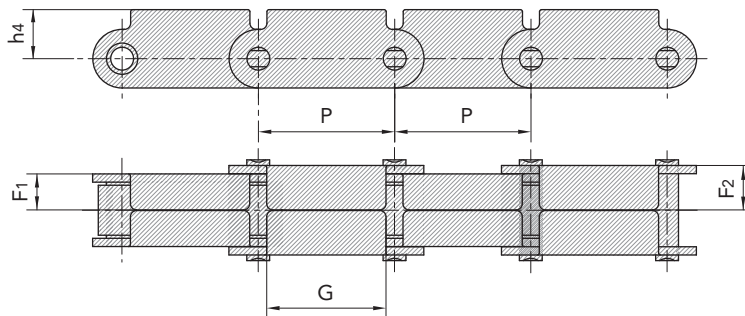
木材输送链及附件 Lumber conveyor chain & attachments

链号 SFR	节距 Pitch	滚子直径 Roller diameter	内节内宽 Width between inner plates	销轴直径 Pin diameter	销轴长度 Pin length		内链板高度 Innerplate depth	链板厚度 Plate thickness	极限拉伸载荷 Ultimate tensile strength	平均拉伸载荷 Average tensile strength	每米长重 Weight per meter
SFR Chain No.	P	d ₁ max	b ₁ min	d ₂ max	L max	L _c max	h ₂ max	T max	Q min	Q ₀	q
	mm	mm	mm	mm	mm	mm	mm	mm	kN/lbf	kN	kg/m
81X	66.27	23.00	27.00	11.10	49.0	53.5	28.50	4.00	106.7/24250	128.9	3.78
81XH	66.27	23.00	27.78	11.10	60.7	65.1	31.35	7.94/5.55	151.9/34523	175.7	5.88
81XHH	66.27	23.00	27.78	11.10	65.6	70.0	31.35	7.94	191.1/43432	212.6	6.70
81XHS	66.27	23.00	27.00	11.10	63.6	68.0	31.80	7.60	152.0/34545	177.2	6.55
500R	50.00	25.40	25.40	14.63	52.0	56.4	40.00	5.00	100.0/22727	114.5	7.13
441.100R	100.00	25.40	25.40	14.63	52.0	56.4	40.00	5.00	100.0/22727	114.5	5.15



木材输送链及附件 Lumber conveyor chain & attachments

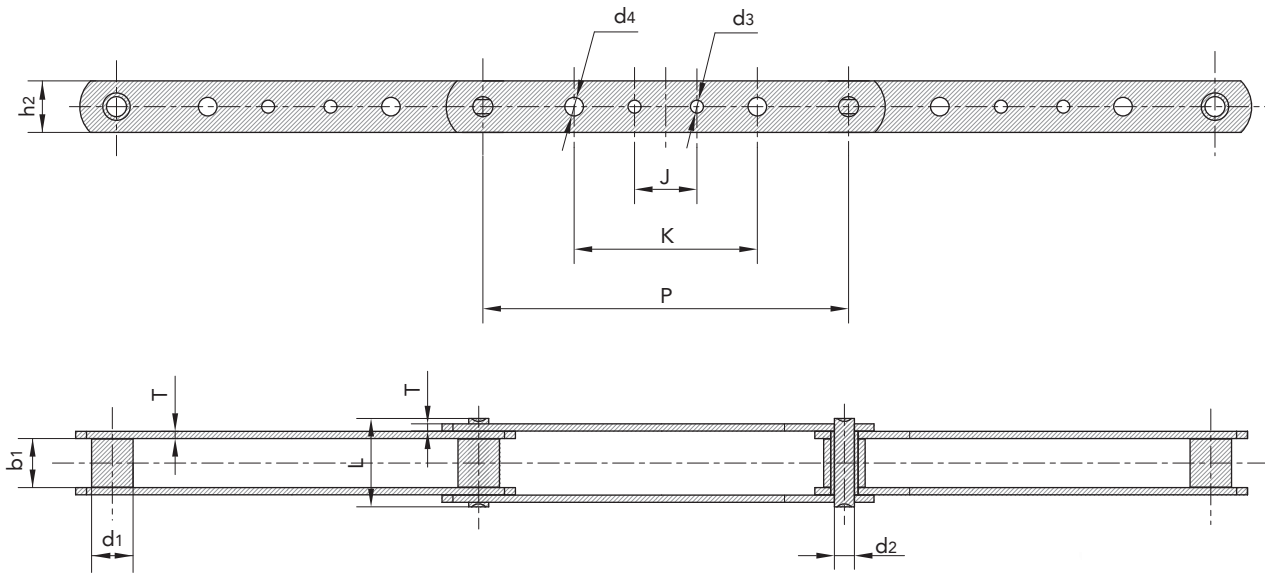
链号 SFR	P	F ₁	F ₂	G	h ₄
SFR Chain No.	mm	mm	mm	mm	mm
81XF1(RT)	66.27	17.5	21.8	58.0	23.85



木材输送链及附件 Lumber conveyor chain & attachments

木材输送链及附件 Lumber conveyor chain & attachments

链号 SFR	节距 Pitch	滚子直径 Roller diameter	内节内宽 Width between inner plates	销轴尺寸 Pin dimension		链板尺寸 Plate dimension					链板厚度 Plate thickness	极限拉伸载荷 Ultimate tensile strength	平均拉伸载荷 Average tensile strength	每米长重 Weight per meter
				d2 max	L max	h2 max	d3 max	d4 max	J max	K max				
SFR Chain No.	P	d1 max	b1 min	d2 max	L max	h2 max	d3 max	d4 max	J max	K max	T max	Q min	Q0	q
	mm	mm	mm	mm	mm	mm	mm	mm	mm	mm	mm	kN/lbf	kN	kg/m
3939-B4	203.2	23.0	27.0	11.1	49.0	28.58	7.2	7.2	38.1	101.6	4.0	115.58/26268	136.5	2.45
3939-B21	203.2	23.0	27.0	11.1	49.0	28.58	7.2	-	38.1	-	4.0	115.58/26268	136.5	2.45
3939-B23	203.2	23.0	27.0	11.1	49.0	28.58	-	10.3	-	92.1	4.0	115.58/26268	136.5	2.45
3939-B24	203.2	23.0	27.0	11.1	49.0	28.58	-	7.2	-	101.6	4.0	115.58/26268	136.5	2.48
3939-B40	203.2	23.0	27.0	11.1	49.0	28.58	-	10.3	-	101.6	4.0	115.58/26268	136.5	2.45
3939-B43	203.2	23.0	27.0	11.1	49.0	28.58	7.2	10.3	38.1	92.1	4.0	115.58/26268	136.5	2.42
3939-B44	203.2	23.0	27.0	11.1	49.0	28.58	7.2	10.3	38.1	101.6	4.0	115.58/26268	136.5	2.45
3939H-B4	203.2	23.0	27.0	11.1	58.0	28.60	-	7.2	38.0	102.0	6.4	150.00/34082	172.5	3.51



传动链
Driving Chain

曳引链
Hoisting Chain

输送链
Conveyor Chain

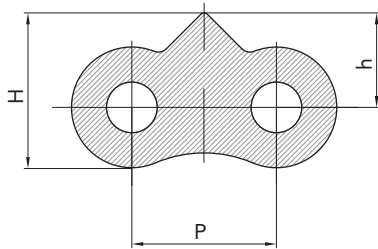
不锈钢链
Stainless Steel Chain

农机链
Agricultural Chain

尖齿链 Sharp top chain

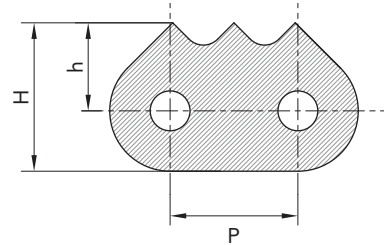
尖齿链 Sharp top chain

链号 SFR	P	h	H
SFR Chain No.	mm	mm	mm
12AF1	19.05	14.15	21.95
16AF1	25.40	16.60	26.85



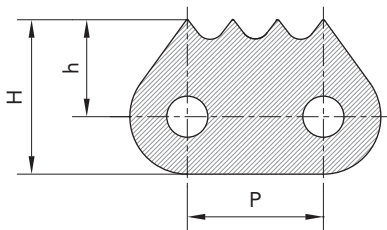
尖齿链 Sharp top chain

链号 SFR	P	h	H
SFR Chain No.	mm	mm	mm
C16AF1	25.4	17.5	29.5
C16A-3PEP	25.4	17.4	29.0
C16BF3	25.4	18.7	29.2



尖齿链 Sharp top chain

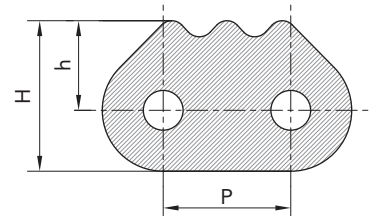
链号 SFR	P	h	H
SFR Chain No.	mm	mm	mm
12BF3	19.05	13.5	21.5
C16A-1170	25.40	16.5	28.0
16B-1170	25.40	16.0	26.5
16B-1172	25.40	15.0	25.5
C24B-4STC	38.10	18.3	35.0



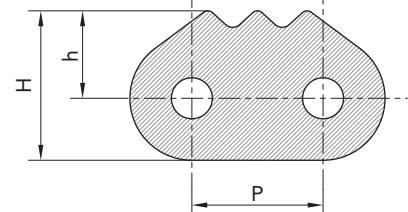
尖齿链 Sharp top chain

链号 SFR	P	h	H
SFR Chain No.	mm	mm	mm
12B-910	19.05	13.70	21.70
60-910	19.05	13.20	22.20
60-1ST	19.05	12.70	21.70
C60F2	19.05	13.38	22.48

C60F2



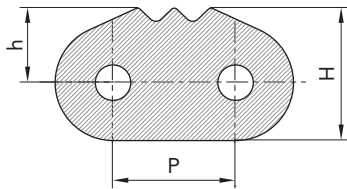
12B-910
60-910
60-1ST



尖齿链 Sharp top chain

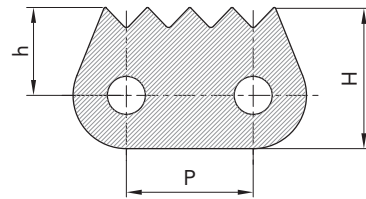
尖齿链 Sharp top chain

链号 SFR	P	h	H
SFR Chain No.	mm	mm	mm
C100-3STC	31.75	19.15	33.91
C24A-3STC	38.10	23.11	40.95



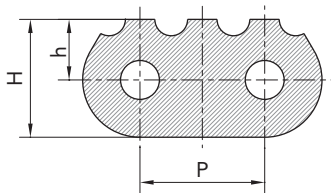
尖齿链 Sharp top chain

链号 SFR	P	h	H
SFR Chain No.	mm	mm	mm
12BF1	19.05	13.2	21.2



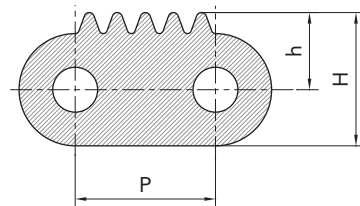
尖齿链 Sharp top chain

链号 SFR	P	h	H
SFR Chain No.	mm	mm	mm
60-911	19.05	9.25	18.00
60-912	19.05	9.20	17.95



尖齿链 Sharp top chain

链号 SFR	P	h	H
SFR Chain No.	mm	mm	mm
LL1044F1	15.875	8.73	15.08



传动链
Driving Chain

曳引链
Hoisting Chain

输送链
Conveyor Chain

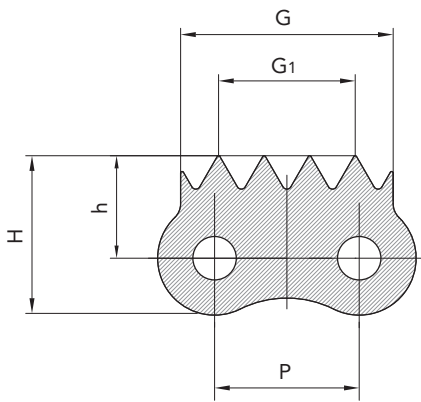
不锈钢链
Stainless Steel Chain

农机链
Agricultural Chain

尖齿链 Sharp top chain

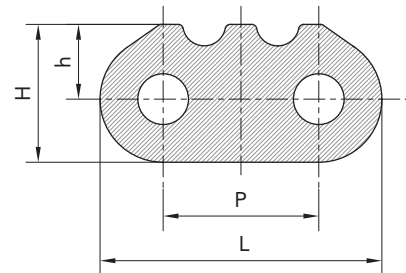
尖齿链 Sharp top chain

链号 SFR	P	H	h	G1	G
SFR Chain No.	mm	mm	mm	mm	mm
12BF5	19.05	21	13.50	18	28



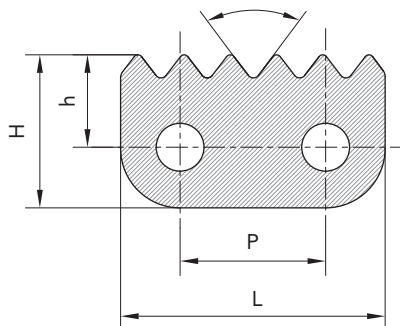
尖齿链 Sharp top chain

链号 SFR	P	L	h	H
SFR Chain No.	mm	mm	mm	mm
16B-1180	25.40	46	12.2	22.50



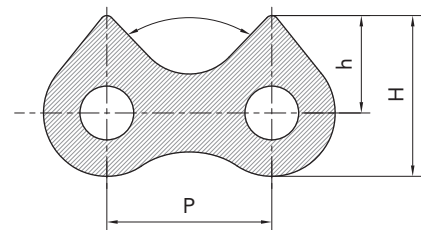
尖齿链 Sharp top chain

链号 SFR	P	L	h	H	
SFR Chain No.	mm	mm	mm	mm	mm
25HF5-6STC	6.35	5.8	8.8	12.2	90°
16B-1185	25.40	46.0	16.0	26.5	75°
16B-6STC	25.40	46.0	16.0	26.5	73.4°



尖齿链 Sharp top chain

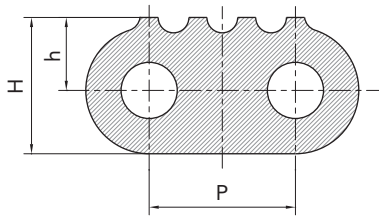
链号 SFR	P	h	H	
SFR Chain No.	mm	mm	mm	mm
16B-2STCF1	25.40	15.0	24.75	88°
20A-2STCF1	31.75	23.0	35.95	80°
20A-2STCF3	31.75	23.0	35.95	82°



尖齿链 Sharp top chain

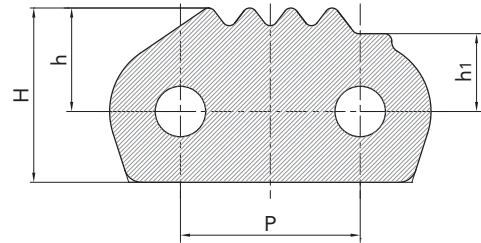
尖齿链 Sharp top chain

链号 SFR	P	h	H
SFR Chain No.	mm	mm	mm
24B-1810	38.1	19	35.5
24A-1802	38.1	21	38.5



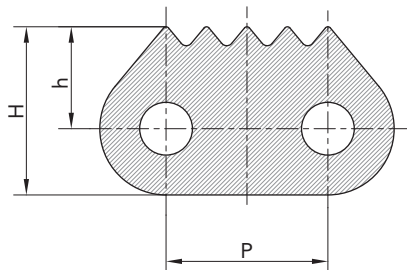
尖齿链 Sharp top chain

链号 SFR	P	h	H	h1
SFR Chain No.	mm	mm	mm	mm
P508F5	50.8	29.25	49.25	22.00



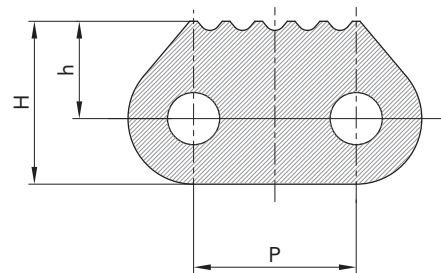
尖齿链 Sharp top chain

链号 SFR	P	h	H
SFR Chain No.	mm	mm	mm
C12BF56-STC	19.05	13.00	22.00
16A-1171	25.40	16.00	26.40
C16A-5PEP	25.40	17.40	29.00
C16AF2	25.40	17.50	29.50
C16A-5PEPF1	25.40	17.30	29.50
C16BF2	25.40	18.70	29.20
16BF24	25.40	16.00	26.40
20BF11	31.75	19.80	33.00
C24B-1831	38.10	22.50	39.00
24A-1-STC	38.10	21.00	38.50



尖齿链 Sharp top chain

链号 SFR	P	h	H
SFR Chain No.	mm	mm	mm
20BF10	31.75	19.00	31.80



传动链
Driving Chain

曳引链
Hoisting Chain

输送链
Conveyor Chain

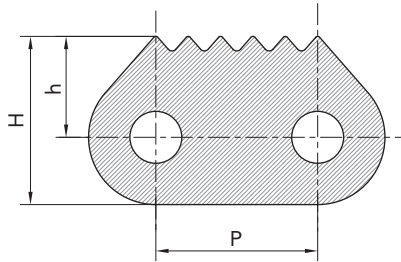
不锈钢链
Stainless Steel Chain

农机链
Agricultural Chain

尖齿链 Sharp top chain

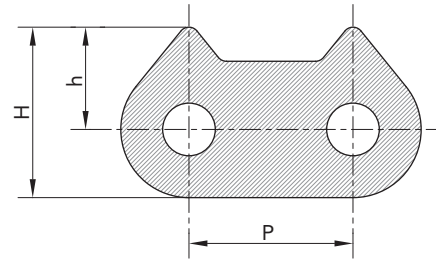
尖齿链 Sharp top chain

链号 SFR	P	h	H
SFR Chain No.	mm	mm	mm
20BF8	31.75	19.8	33.0
20B-1310	31.75	19.8	33.0
C24B-6STCF1	38.10	23.5	40.0



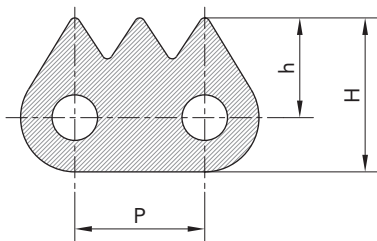
尖齿链 Sharp top chain

链号 SFR	P	h	H
SFR Chain No.	mm	mm	mm
20BF-1350	31.75	19.8	33.0



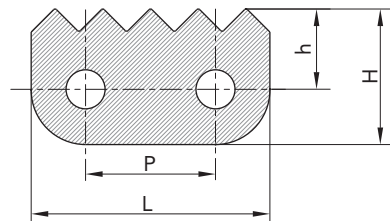
尖齿链 Sharp top chain

链号 SFR	P	h	H
SFR Chain No.	mm	mm	mm
08BF71	12.70	9.75	15.05



尖齿链 Sharp top chain

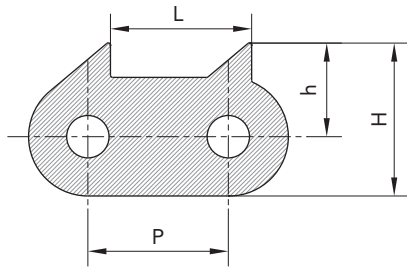
链号 SFR	P	h	H	L
SFR Chain No.	mm	mm	mm	mm
C10B-5STCF1	15.875	11.30	18.80	30.90
10AF42	15.875	11.50	19.00	30.90
12B-911	19.050	11.90	20.00	35.00



尖齿链 Sharp top chain

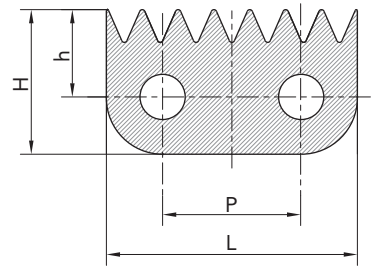
尖齿链 Sharp top chain

链号 SFR	P	h	H	L
SFR Chain No.	mm	mm	mm	mm
C12B-9010	19.05	13.00	21.00	19.05
C12B-940	19.05	13.20	22.30	19.75
C16B-1160	25.40	10.50	27.50	25.40
C16B-1161	25.40	17.00	27.50	25.40
C16A-1160	25.40	18.00	29.50	25.40



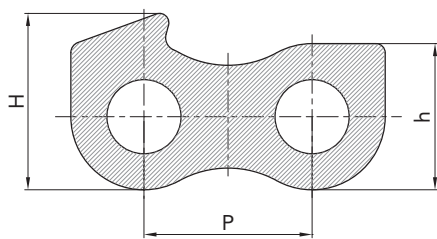
尖齿链 Sharp top chain

链号 SFR	P	h	H	L
SFR Chain No.	mm	mm	mm	mm
11B-1187	25.4	16.00	26.50	46.00



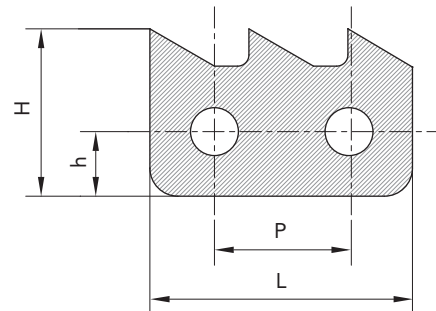
尖齿链 Sharp top chain

链号 SFR	P	h	H
SFR Chain No.	mm	mm	mm
40AF1	63.50	55.20	66.60



尖齿链 Sharp top chain

链号 SFR	P	L	h	H
SFR Chain No.	mm	mm	mm	mm
20AF1	31.75	57.20	14.75	35.84



传动链
Driving Chain

曳引链
Hoisting Chain

输送链
Conveyor Chain

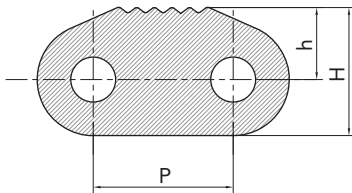
不锈钢链
Stainless Steel Chain

农机链
Agricultural Chain

尖齿链 Sharp top chain

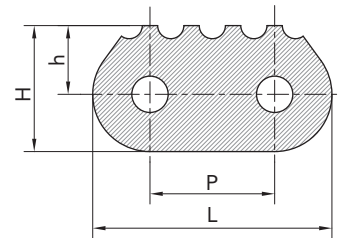
尖齿链 Sharp top chain

链号 SFR	P	h	H
SFR Chain No.	mm	mm	mm
20B-6STC	31.75	16350	29.20



尖齿链 Sharp top chain

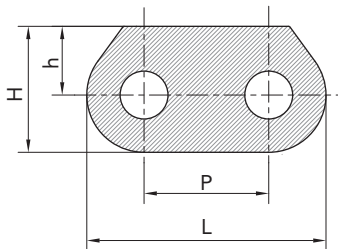
链号 SFR	P	L	h	H
SFR Chain No.	mm	mm	mm	mm
C20A-1-4STC	31.75	46.75	18.3	33.3
120-1802	38.10	73.10	21.0	38.5
24B-1809	38.10	73.10	21.0	38.5



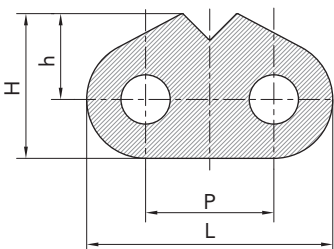
尖齿链 Sharp top chain

链号 SFR	P	L	h	H
SFR Chain No.	mm	mm	mm	mm
24B-1805	38.10	73.10	21.00	38.50
24B-1807	38.10	73.10	25.50	43.00
C24B-1820	38.10	73.10	21.00	38.50

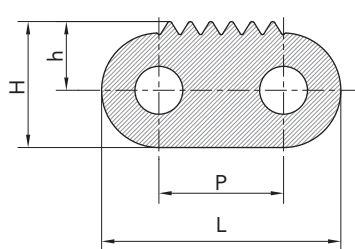
24B-1805



24B-1807

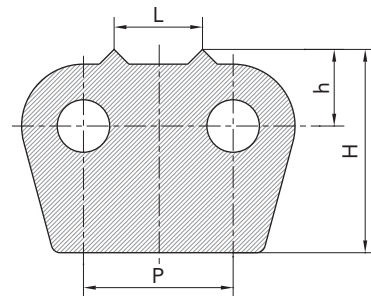


C24B-1820



尖齿链 Sharp top chain

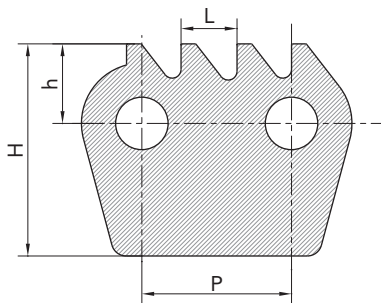
链号 SFR	P	h	H	L
SFR Chain No.	mm	mm	mm	mm
32BF4	50.80	26.00	70.00	30.00



尖齿链 Sharp top chain

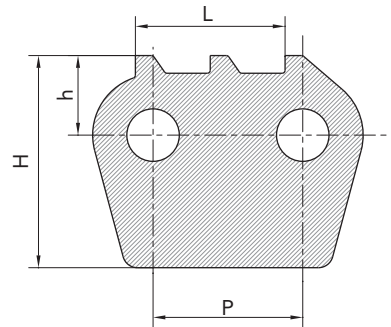
尖齿链 Sharp top chain

链号 SFR	P	h	H	L
SFR Chain No.	mm	mm	mm	mm
32B-1875	50.80	27.00	72.00	19.00
20BF20-1875	50.80	30.00	74.00	13.50



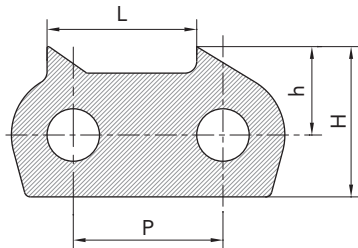
尖齿链 Sharp top chain

链号 SFR	P	h	H	L
SFR Chain No.	mm	mm	mm	mm
32B-1876	50.80	27.00	72.00	50.80



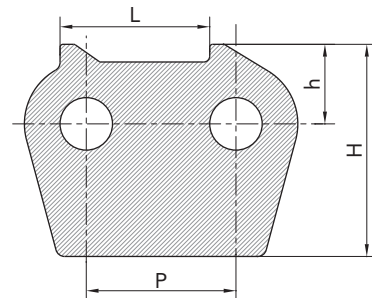
尖齿链 Sharp top chain

链号 SFR	P	h	H	L
SFR Chain No.	mm	mm	mm	mm
32B-1877	50.80	30.00	51.00	50.80



尖齿链 Sharp top chain

链号 SFR	P	h	H	L
SFR Chain No.	mm	mm	mm	mm
32B-1878	50.80	27.00	72.00	50.80



传动链
Driving Chain

曳引链
Hoisting Chain

输送链
Conveyor Chain

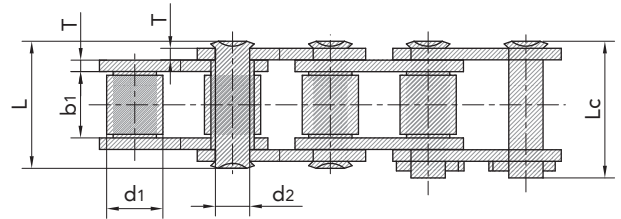
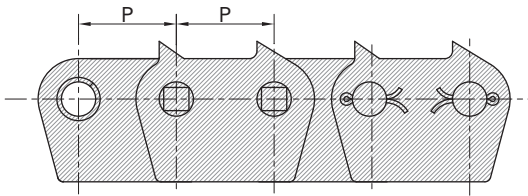
不锈钢链
Stainless Steel Chain

农机链
Agricultural Chain

尖齿链 Sharp top chain

尖齿链 Sharp top chain

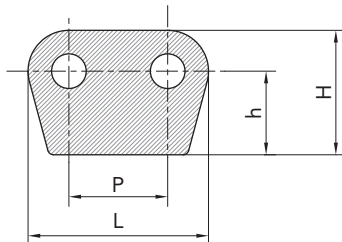
链号 SFR	节距 Pitch	滚子直径 Roller diameter	内节内宽 Width between inner plates	销轴直径 Pin diameter	销轴长度 Pin length		链板厚度 Plate thickness	极限拉伸载荷 Ultimate tensile strength	平均拉伸载荷 Average tensile strength	每米长重 Weight per meter
SFR Chain No.	P	d ₁ max	b ₁ min	d ₂ max	L max	L _c max	T max	Q min	Q _o	q
	mm	mm	mm	mm	mm	mm	mm	kN/lbf	kN	kg/m
32B-1-1872	50.8	29.21	33.0	17.81	66.0	71.0	6.0	250.0/56818	275.0	13.54



尖齿链 Sharp top chain

链号 SFR	P	L	h	h ₁	H
SFR Chain No.	mm	mm	mm	mm	mm
32B-1872	50.8	92.8	-	43.0	64.0
32BF1	50.8	92.8	21.0	30.0	73.0
32B-1900F1	50.8	92.8	21.0	30.0	75.0
32BF15	50.8	91.8	20.0	45.0	75.0
C32B-1874F1	50.8	92.8	21.0	40.0	83.0

32B-1872



32BF1
32B-1900F1
32BF15
C32B-1874F1

